



Primary Flowpoints

Style WF Sight Glass

This circular sight glass is ideal for you to visually check the presence, colour and condition of a liquid.

- ◆ High quality robust design
- ◆ High temperature and pressure ratings
- ◆ Short lead times
- ◆ Designed and manufactured in the UK.
- ◆ All flange types available



Application

This model is designed to provide a window for viewing the contents of a vessel or tank. Suitable for bolting to a vessel or a pipe flange. The windows are either toughened soda lime or toughened borosilicate glass to suit the contents of the vessel.

Materials of Construction

Back Pad - Stainless steel BS EN 10088-3: 1.4404/1.4401
- Carbon steel A350 LF2 / ASTM A105 / S355J2+N
Covers - Stainless steel ASTM A351 CF8M (316)
- Mild steel grade S355J2+N
Glasses - Toughened Soda Lime BS3463
- Toughened Borosilicate DIN7080 or BS3463
Internal Gasket - PTFE
External Gasket - Klingersil C4400
Edge Protector - Klingersil C4400
Fasteners (Standard) - A2 Stainless Steel
(High Pressure) - High Tensile Steel
Flanged Connections- -A -ANSI 150#
-N -PN16
-C -ANSI 300#
Other Flange Types Available

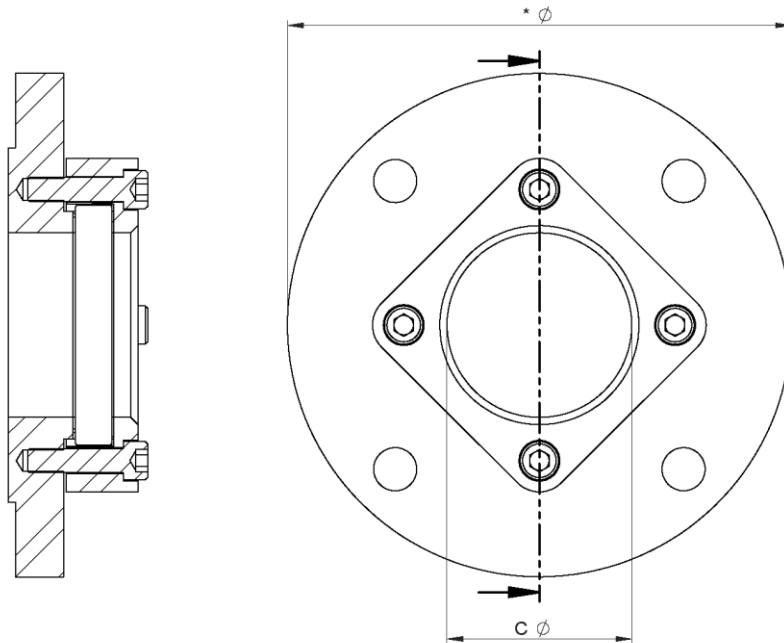
Maximum Working Pressure

Toughened Soda Lime: Standard Unit - 16 Bar
High Pressure Unit - 40mm-150mm - 40 Bar, 200-250mm - 25 Bar
Toughened Borosilicate: Standard Unit - 6 Bar
High Pressure Unit - 40mm-150mm - 16 Bar, 200-250mm - 10 Bar

Dimensions

NOMINAL BORE (mm)	C	CARBON STEEL	STAINLESS STEEL
40	42	CWF-040-X	SWF-040-X
50	48	CWF-050-X	SWF-050-X
65	62	CWF-065-X	SWF-065-X
80	77	CWF-080-X	SWF-080-X
100	77	CWF-100-X	SWF-100-X
150	100	CWF-150-X	SWF-150-X
200	150	CWF-200-X	SWF-200-X
250	200	CWF-250-X	SWF-250-X

'-X' Denotes chosen flange specification e.g. '-A' = ANSI 150
Other clear view (C) dimensions available upon request



*See relevant flange standard for overall diameter

Quality

All Flowpoints sight glasses are manufactured to the highest standards.
The quality system is independently audited by BSI and certified to ISO 9001.
Full material traceability is maintained, material certificates are supplied on request.

Tel: 01922 650009

Fax: 01922 640326